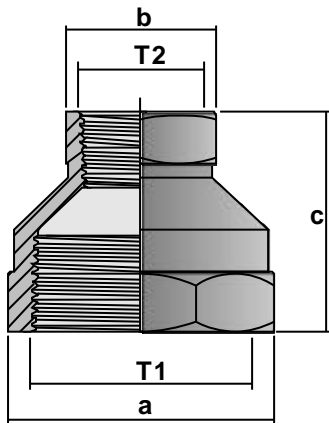


SCREWED REDUCING SOCKET



Product Code	T1 BSPT	T2 BSPT	a (AF) mm	b (AF) mm	C mm
SRS2015	¾" (20mm)	½" (15mm)	34.2	28.2	42.5
SRS2515	1" (25mm)	½" (15mm)	41.2	28.2	47.5
SRS2520	1" (25mm)	¾" (20mm)	41.2	34.2	45.5
SRS3220	1¼" (32mm)	¾" (20mm)	51.3	34.2	52.2
SRS3225	1¼" (32mm)	1" (25mm)	51.3	41.2	49.3
SRS4020	1½" (40mm)	¾" (20mm)	59.0	34.2	51.9
SRS4025	1½" (40mm)	1" (25mm)	59.0	41.2	51.2
SRS4032	1½" (40mm)	1¼" (32mm)	59.0	51.3	53.3
SRS5020	2" (50mm)	¾" (20mm)	72.0	34.2	61.0
SRS5025	2" (50mm)	1" (25mm)	72.0	41.2	59.5
SRS5032	2" (50mm)	1¼" (32mm)	72.0	51.3	62.0
SRS5040	2" (50mm)	1½" (40mm)	72.0	59.0	58.2
SRS6540	2½" (65mm)	1½" (40mm)	92.6	59.0	70.7
SRS6550	2½" (65mm)	2" (50mm)	92.6	72.0	69.0
SRS8050	3" (80mm)	2" (50mm)	110.0	72.0	79.0
SRS8065	3" (80mm)	2½" (65mm)	110.0	92.6	73.8
SRS10065	4" (100mm)	2½" (65mm)	137.2	92.6	94.5
SRS10080	4" (100mm)	3" (80mm)	137.2	110.0	90.5



FOR REFERENCE USE ONLY.
WITH OUR POLICY OF CONTINUING
PRODUCT DESIGN AND DEVELOPMENT,
SPECIFICATIONS, CODE NUMBERS AND
ITEMS ARE SUBJECT TO CHANGE
WITHOUT NOTICE.