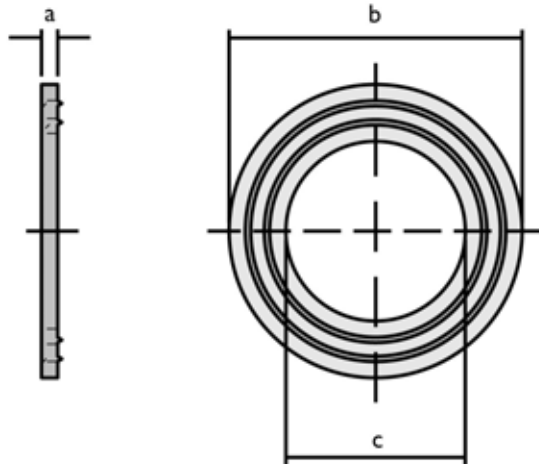


SCREWED WASHERS RUBBER & POLYETHYLENE



| PRODUCT CODE | a mm | b mm | c mm |
|--------------|------|------|------|
| SWB15 | 2.8 | 38.6 | 20.9 |
| SWB20 | 2.8 | 45.4 | 26.4 |
| SWB25 | 3.0 | 54.2 | 33.2 |
| SWB32 | 3.0 | 64.3 | 42.6 |
| SWB40 | 3.3 | 72.0 | 48.0 |
| SWB50 | 3.3 | 84.6 | 59.8 |

| PRODUCT CODE | a mm | b mm | c mm |
|--------------|------|------|------|
| SWPB15 | 2.8 | 38.6 | 20.9 |
| SWPB20 | 2.8 | 45.4 | 26.4 |
| SWPB25 | 3.0 | 54.2 | 33.2 |
| SWPB32 | 3.0 | 64.3 | 42.6 |
| SWPB40 | 3.3 | 72.0 | 48.0 |
| SWPB50 | 3.3 | 84.6 | 59.8 |

HANSEN

FOR REFERENCE USE ONLY.

WITH OUR POLICY OF CONTINUING PRODUCT DESIGN AND DEVELOPMENT, SPECIFICATIONS, CODE NUMBERS AND ITEMS ARE SUBJECT TO CHANGE WITHOUT NOTICE

© COPYRIGHT: HANSEN PRODUCTS (NZ) LIMITED.