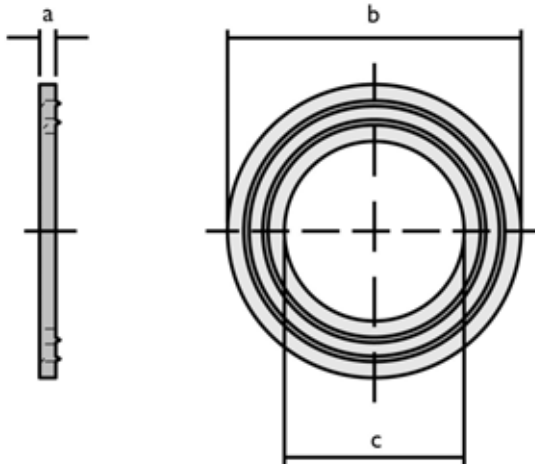


SCREWED WASHERS RUBBER & POLYETHYLENE



PRODUCT CODE	a mm	b mm	c mm
SWRW15	2.8	38.6	20.9
SWRW20	2.8	45.4	26.4
SWRW25	3.0	54.2	33.2
SWRW32	3.0	64.3	42.6
SWRW40	3.3	72.0	48.0
SWRW50	3.3	84.6	59.8

PRODUCT CODE	a mm	b mm	c mm
SWP15	2.8	38.6	20.9
SWP20	2.8	45.4	26.4
SWP25	3.0	54.2	33.2
SWP32	3.0	64.3	42.6
SWP40	3.3	72.0	48.0
SWP50	3.3	84.6	59.8

HANSEN

FOR REFERENCE USE ONLY.

WITH OUR POLICY OF CONTINUING PRODUCT DESIGN AND DEVELOPMENT, SPECIFICATIONS, CODE NUMBERS AND ITEMS ARE SUBJECT TO CHANGE WITHOUT NOTICE

© COPYRIGHT: HANSEN PRODUCTS (NZ) LIMITED.