

Easy to Install



1. Select hole saw to fit based on what is recommended on the base of the Hansen *Fast Fit* Tapping Saddle.



2. Use the pilot hole located on the base of the Hansen *Fast Fit* Tapping Saddle as a guide to start drilling, then remove the Hansen *Fast Fit* Tapping Saddle and complete the drilling. Clean off the burrs from the pipe to ensure a clear and clean sealing surface.



3. Ensure the internal seal is installed. Use the small white spigots to help locate it correctly. Place the Hansen *Fast Fit* Tapping Saddle around the pipe using the saddle spigot to help locate it in the drilled hole. Tighten bolt.



4. When adding additional fittings it is recommended that either a thread sealing paste or thread sealing tape be used on all threaded connections. We recommend LOCTITE 5331.

Hansen Fast Fit Tapping Saddles should be installed onto Medium Density pipe that has been installed in accordance with the following standards:

- AS/NZS 2566 Part 1 and Supplement "Buried Flexible Pipelines - Structural Design" Detailed Installation and Site Pressure Testing.
- AS/NZS 2566 Part 2 "Installation"
- AS/NZS 2033 Installation of Polyethylene Pipe Systems

For more information on best practice installations, please contact info@hansenproducts.com

Failure to complete installation in accordance with the above standards, may void any warranties given by Hansen Products (NZ) Limited in respect to the Fitting.

For further technical information including chemical & temperature specifications, please visit our website: www.hansenproducts.com

SPIGOT

The spigot helps locate and secure the Hansen *Fast Fit* Tapping Saddle onto the pipe, reducing loss of seal if the pipe or saddle move under load.



HINGE

The ability to open past 180° degrees makes it an excellent choice for tight spots. The hinge stays connected for a fast, easy one piece installation.



BOLTS

Only one bolt required which is fixed to the body ensuring no lost parts and the common Stainless Steel M8 bolt on all sizes means only one tool is required for installation - a major time saver. Larger sizes can have up to three bolts if preferred.



CUSTOM SEAL

Small spigots on the internal seal that are visible from the outside help locate it correctly and removes any second guessing if the seal has been installed or not.



PILOT HOLE

A pilot hole located at the base of each saddle makes installation easy.



HANSEN™

Fast Fit Tapping Saddles



HANSEN PRODUCTS (NZ) LIMITED

PO Box 809 • Whangarei • New Zealand
P: +64 9 430 4140 F: +64 9 430 4141
E: info@hansenproducts.com
W: www.hansenproducts.com

Available From:

HANSEN

Best Installed Value



HD6084 2205

www.hansenproducts.com

Best Installed Value

Hansen Products has been designing and manufacturing Pipe Fittings and Valves for over 60 years and now boasts an extensive and impressive range with a reputation for quality, reliability and ease of use. The winning formula that has been applied to the product range since the 1950's has ensured a loyal customer following through the generations.

With a range of over 1000 different products, loyal customers and a successful formula, Hansen Products decided to release a range of *Fast Fit* Tapping Saddles that would revolutionise the way people tee off the main pipeline. The *Fast Fit* Tapping Saddle has a number of features that make it the saddle of choice such as a Custom Seal that is visible from the outside so you know instantly that the seal is in place, a Pilot Hole for easy installation, a Hinge which also stays connected for fast easy one piece installation and opens past 180° degrees for tight spots, a Spigot to help locate and secure it onto the pipe and best of all only one Stainless Steel M8 bolt which is fixed to the body to avoid lost parts with the same size bolt used on the entire range which means only one tool is required. Put all of this together and you have the solution for a fast, no hassle installation.

With over 60 years experience in manufacturing, Hansen Products knows the importance that pipe fittings play in the performance and control of fluid delivery, flow and pressure within a pipe system. This has seen Hansen Products build a reputation for providing high performance, easy to use, innovative, simple products that provide our customers with "Best Installed Value".

All Hansen products carry our Limited Lifetime Warranty*

*For more information on our warranty, please visit www.hansenproducts.com/legal.htm

Features & Benefits

- Spigot guarantees correct placement onto pipe and security of seal
- Hinge opens past 180° allowing fast, easy installation in any situation
- Hinge allows the saddle to remain as one piece, preventing loss of parts
- Custom Seal with Spigots guarantees correct seal placement and a visible check of correct installation
- Bolt fixed to the body ensuring quick, easy installation and no lost parts with extra bolt holes on the larger sized saddles for peace of mind
- M8 Stainless Steel bolt on all sizes means only one tool required
- Pilot hole in the base ensures correct hole placement
- Compact Design Manufactured from strong, non-corrosive UV stabilised materials for a long life
- Packaging has all the information required for ease of purchase i.e. pipe size & type, thread DN, hole saw size etc

The Tapping Saddles and Indicator Seals are protected by intellectual property rights owned by the Hansen group of companies in New Zealand, Australia and other countries, including NZ patent 577587 and registered design 412373, Australian patent application 2010202392 and registered design 329136 and European Community registered design 001182489-0001.

Sizes & Dimensions



Tapping Saddle - Low Density

Size mm:	50 x 50	50 x 25	40 x 25	25 x 25
	50 x 40	40 x 40	32 x 32	
	50 x 32	40 x 32	32 x 25	



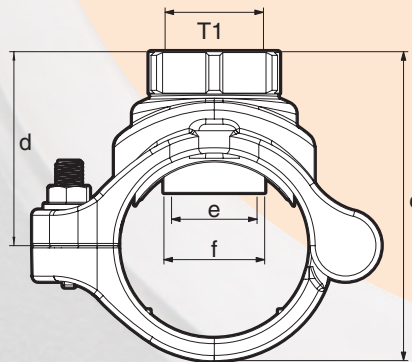
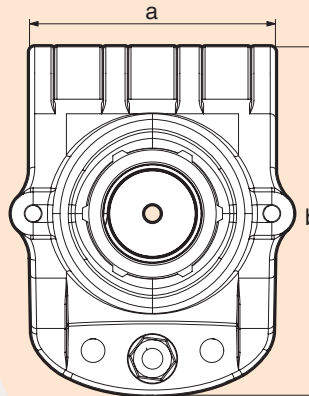
Tapping Saddle - Medium Density

Size mm:	63 x 50	63 x 25	50 x 32	40 x 25
	63 x 40	63 x 20	50 x 25	
	63 x 32	50 x 40	40 x 32	



Tapping Saddle - Rural B

Size mm:	50 x 50	50 x 25	40 x 25	25 x 25
	50 x 40	40 x 40	32 x 32	
	50 x 32	40 x 32	32 x 25	



Hansen Code	Saddle	Pipe	T1 BSPT (DN*)	a mm	b mm	c mm	d mm	e mm	f mm	Recommended Spigot Hole Size
HTSMD6350	63 x 50	MD	50mm (2")	83	118	117	78	29	34	35
HTSMD6340	63 x 40	MD	40mm (1 1/2")	83	118	111	72	29	34	35
HTSMD6332	63 x 32	MD	32mm (1 1/4")	83	118	108	69	29	34	35
HTSMD6325	63 x 25	MD	25mm (1")	83	118	104	65	29	34	35
HTSMD6320	63 x 20	MD	20mm (3/4")	83	118	102	63	29	34	35
HTSLD5050	50 x 50	LD/Enduroflex/Rural B	50mm (2")	83	113	110	75	29	34	35
HTSLD5040	50 x 40	LD/Enduroflex/Rural B	40mm (1 1/2")	83	113	104	69	29	34	35
HTSLD5032	50 x 32	LD/Enduroflex/Rural B	32mm (1 1/4")	83	113	102	67	29	34	35
HTSLD5025	50 x 25	LD/Enduroflex/Rural B	25mm (1")	83	113	98	63	29	34	35
HTSMD5040	50 x 40	MD	40mm (1 1/2")	68	100	97	66	21	26	28
HTSMD5032	50 x 32	MD	32mm (1 1/4")	68	100	95	64	21	26	28
HTSMD5025	50 x 25	MD	25mm (1")	68	100	91	60	21	26	28
HTSLD4040	40 x 40	LD/Enduroflex/Rural B	40mm (1 1/2")	68	96	90	63	21	26	28
HTSLD4032	40 x 32	LD/Enduroflex/Rural B	32mm (1 1/4")	68	96	88	61	21	26	28
HTSLD4025	40 x 25	LD/Enduroflex/Rural B	25mm (1")	68	96	84	57	21	26	28
HTSMD4032	40 x 32	MD	32mm (1 1/4")	61	86	85	60	16	21	22
HTSMD4025	40 x 25	MD	25mm (1")	61	86	81	56	16	21	22
HTSLD3232	32 x 32	LD	32mm (1 1/4")	61	84	83	59	16	21	22
HTSLD3225	32 x 25	LD	25mm (1")	61	84	78	54	16	21	22
HTSRB3232	32 x 32	Enduroflex/Rural B	32mm (1 1/4")	61	84	81	58	16	21	22
HTSRB3225	32 x 25	Enduroflex/Rural B	25mm (1")	61	84	76	53	16	21	22
HTSMD3225	32 x 25	MD	25mm (1")	50	74	71	51	13	18	19
HTSLD2525	25 x 25	LD	25mm (1")	50	74	71	51	13	18	19
HTSRB2525	25 x 25	Enduroflex/Rural B	25mm (1")	50	74	67	48	13	18	19

Products highlighted in yellow currently available now